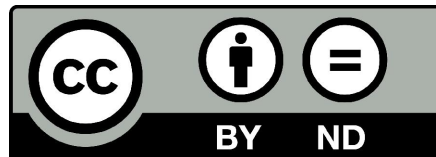


TOMA SYSTEMS

TS-104 Telecaster

Solderless Wiring
Instructions

toma.systems.info@gmail.com



You are free to:

Share — copy and redistribute the material in any medium or format for any purpose, even commercially.
The licensor cannot revoke these freedoms as long as you follow the license terms.

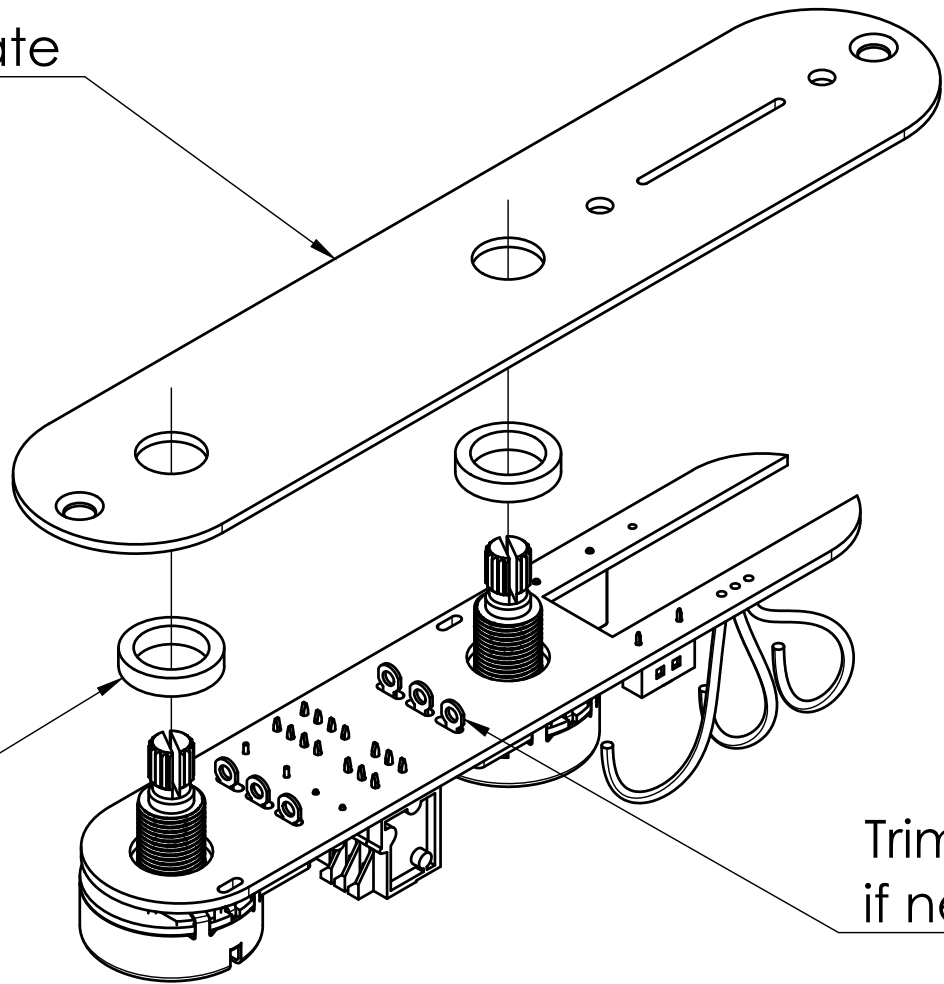
Under the following terms:

Attribution — You must give appropriate credit, provide a link to the license, and indicate if changes were made. You may do so in any reasonable manner, but not in any way that suggests the licensor endorses you or your use.

NoDerivatives — If you remix, transform, or build upon the material, you may not distribute the modified material.

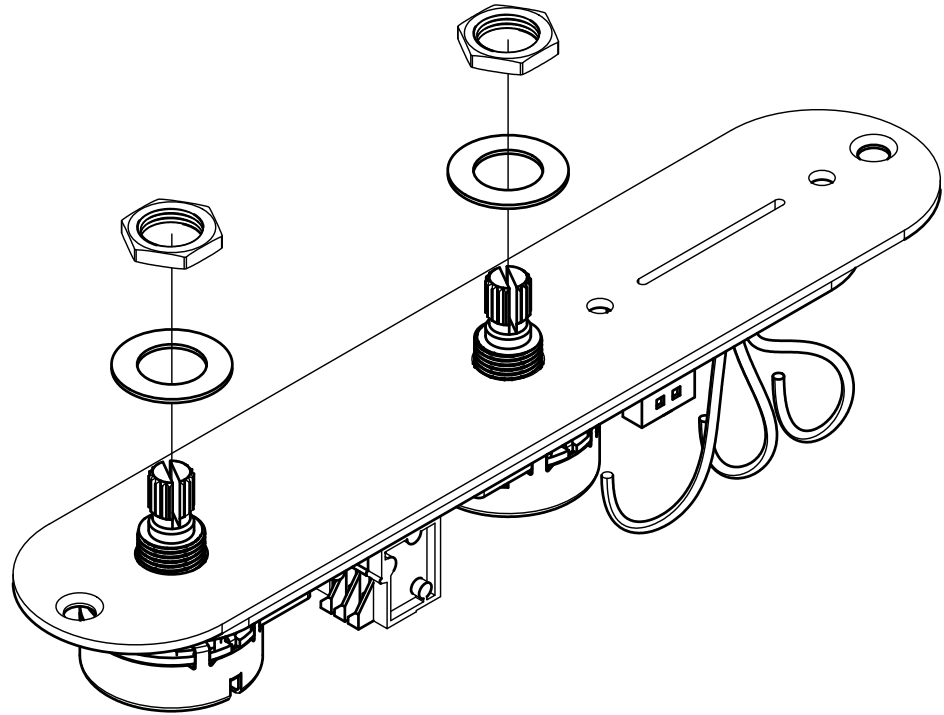
No additional restrictions — You may not apply legal terms or technological measures that legally restrict others from doing anything the license permits.

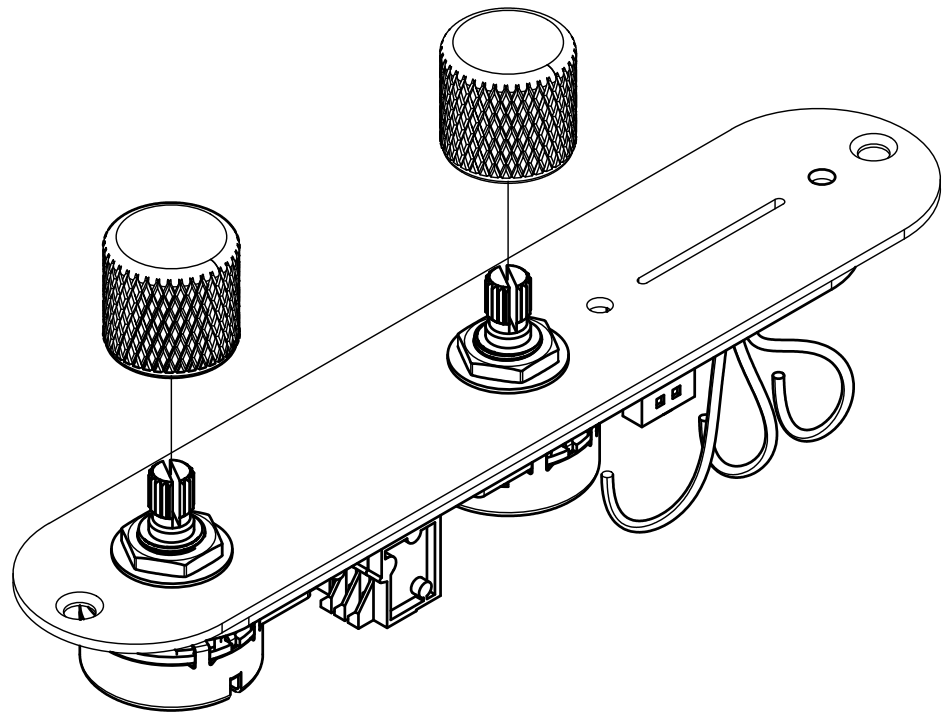
Fender original plate



Plastic washers

Trim with pliers
if necessary

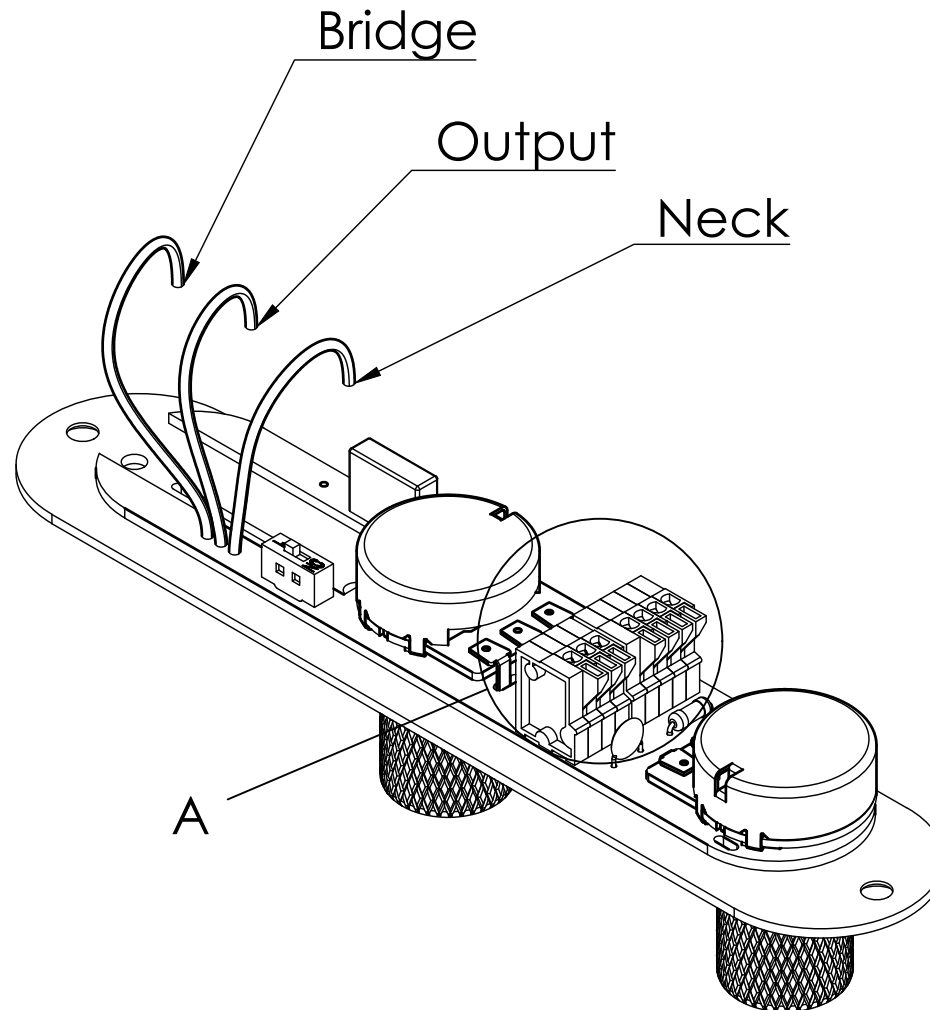




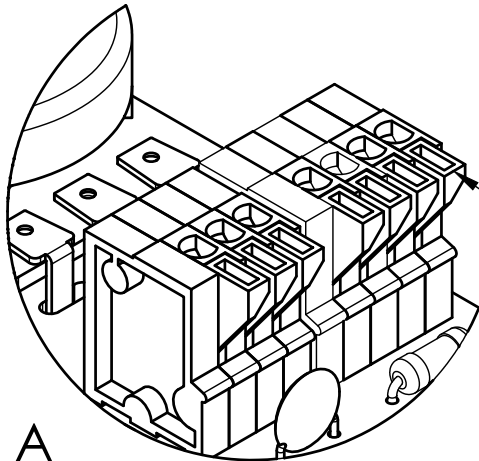
Bridge

Output

Neck

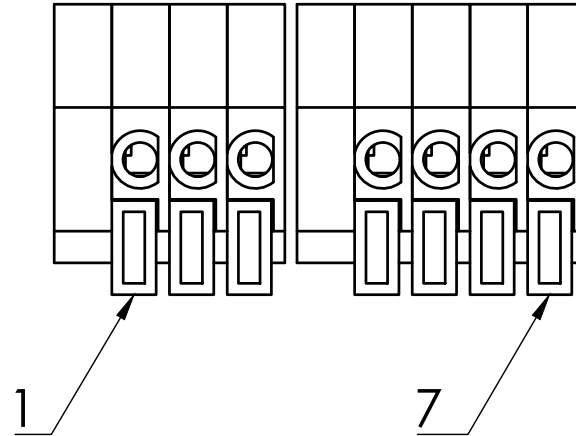


A

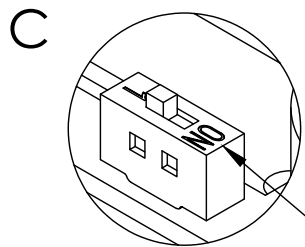
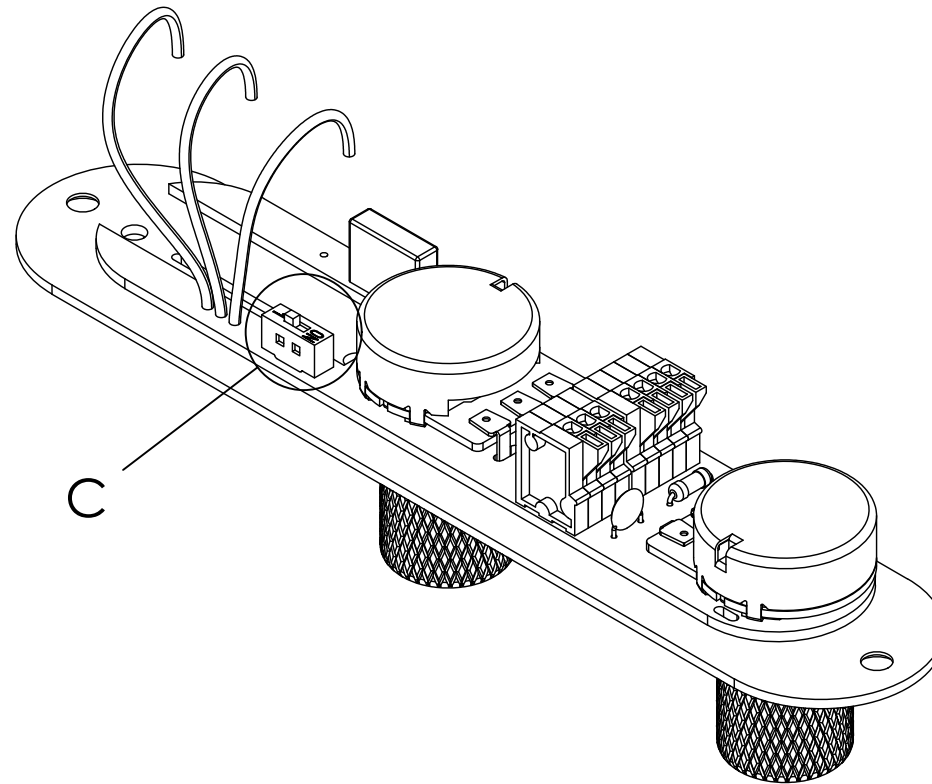


A

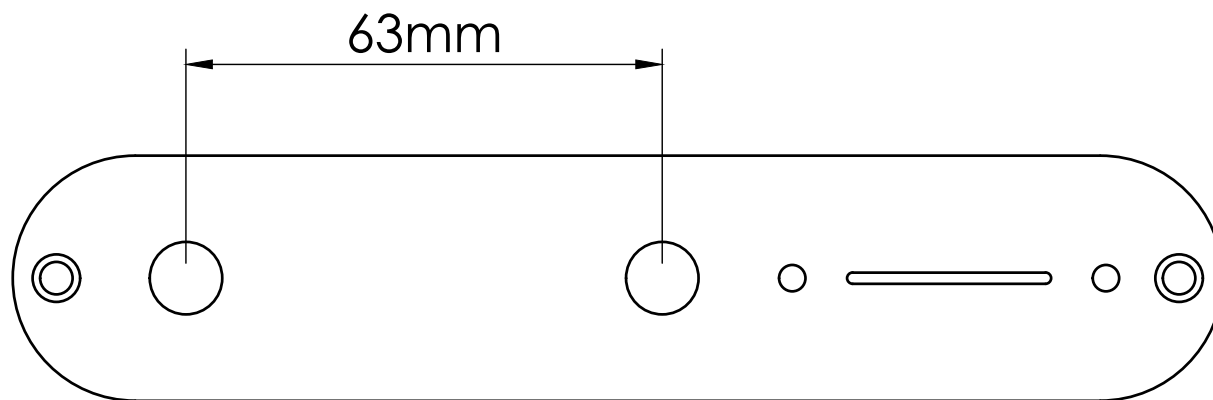
Push down with a small flat screwdriver



Connections	
1	Jack +
2	Jack -
3	GND (bridge)
4	Neck +
5	Neck -
6	Bridge +
7	Bridge -



Sliding to ON position will activate the *treble bleed* circuitry



Fender®

TOMA Systems 2021